

Installation Sheet

Drain Installation Guide for Under Counter Bowl Mount

Counter with hole size for Under Counter Mount

Step #1

Center and mount bowl to underside of counter per Modono installation instructions.

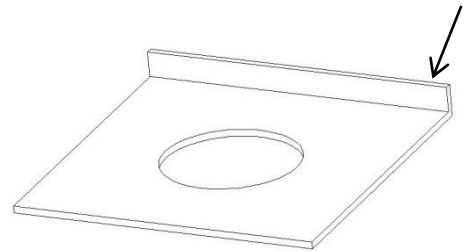


Fig. #1

Step #2

Assemble drain per package instructions. (Fig.#2) (Danco Push Button drain recommended w/o overflow).

NOTE: If Moen drain is used, a $\frac{3}{4}$ " high spacer may be required (Fig. #3).

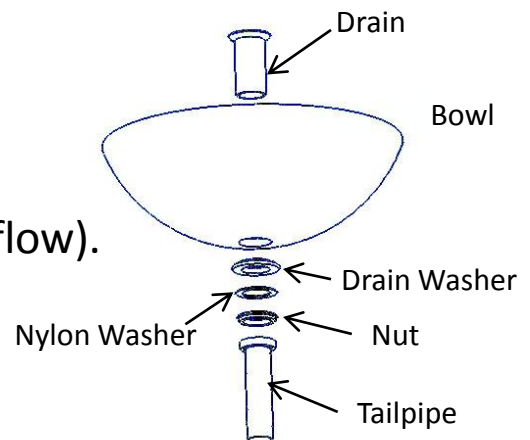


Fig. #2

Step #3

Attach tailpipe to trap assembly. (Check local codes for acceptable trap type).

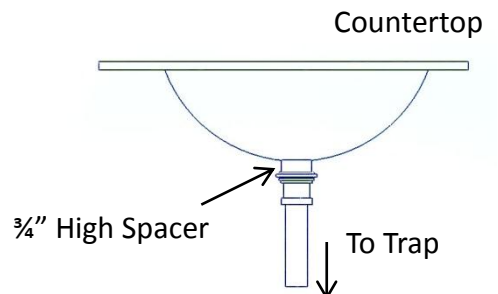


Fig. #3

Installation Sheet

Drain Installation Guide for Recessed Bowl Mount

Counter with hole size and chamfer for Recessed Mount

Step #1

Install cushion profile extrusion per Modono installation instructions (Fig. #2).

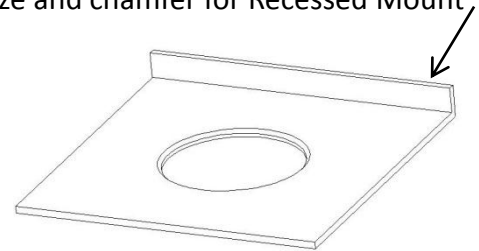


Fig. #1

Step #2

Center bowl in opening. Check height all around.

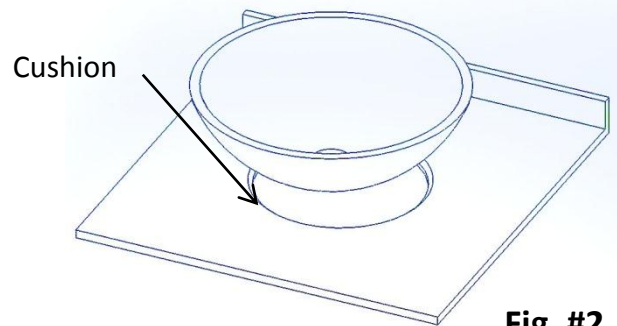


Fig. #2

Step #3

Assemble drain per package instructions. (Fig.#3)
(Danco Push Button drain recommended w/o overflow).

NOTE: If Moen drain is used, a $\frac{3}{4}$ " high spacer may be required (Fig. #4).

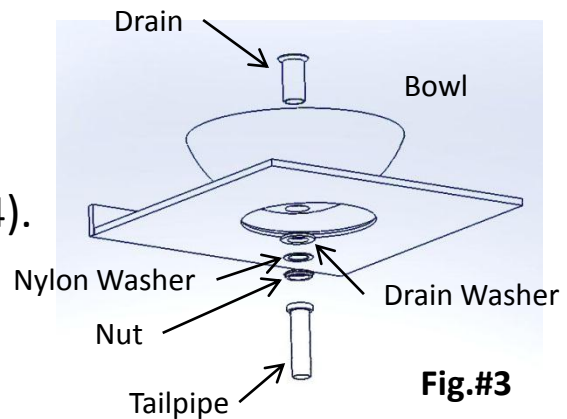


Fig.#3

Step #4

Caulk around perimeter of bowl (Fig. #4).
Attach tailpipe to trap assembly.
(Check local codes for acceptable trap type).

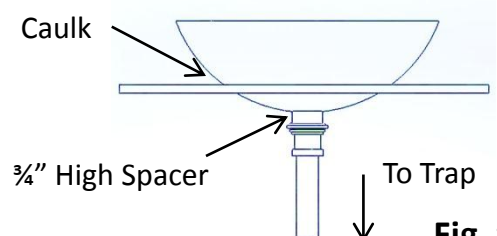


Fig. #4

Installation Sheet

Drain Installation Guide for Above Counter Bowl Mount

Step #1

Center bowl over hole in counter.
Refer to Modono installation
instructions.

Counter with hole size for Above Counter Mount

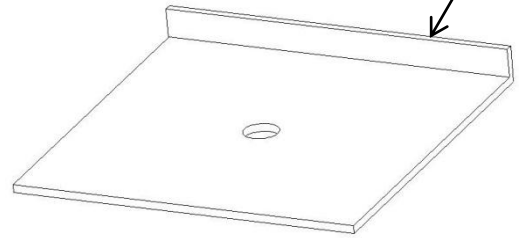


Fig. #1

Step #2

Assemble drain per package
instructions. (Fig.#2) (Danco Push
Button drain recommended
w/o overflow).

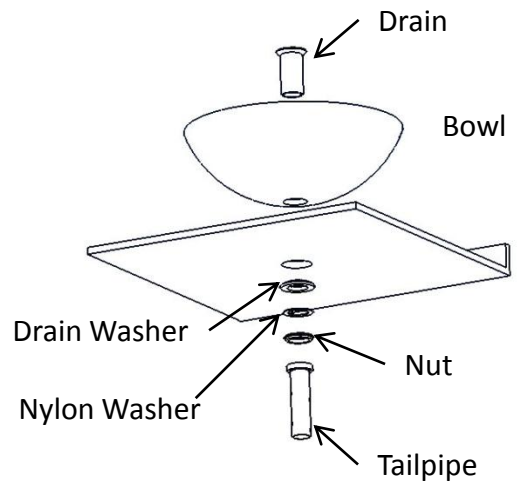


Fig. #2

Step #3

Attach tailpipe to trap assembly (Fig. #3).
Check local codes for acceptable
trap type.

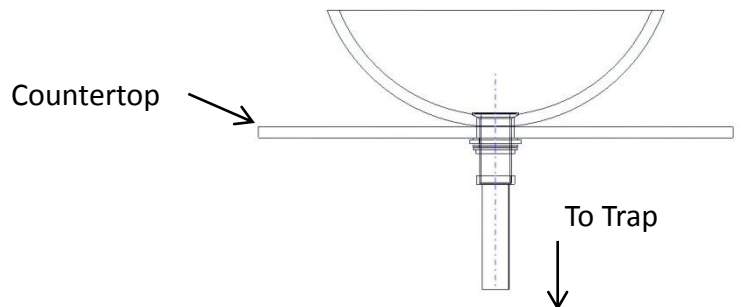


Fig. #3